

Extractability™



www.extractability.eu

Peters House
The Orbital Centre
Icknield Way
Letchworth Garden City
Hertfordshire
SG6 1ET
Tel. +44 (0) 845 862 2620

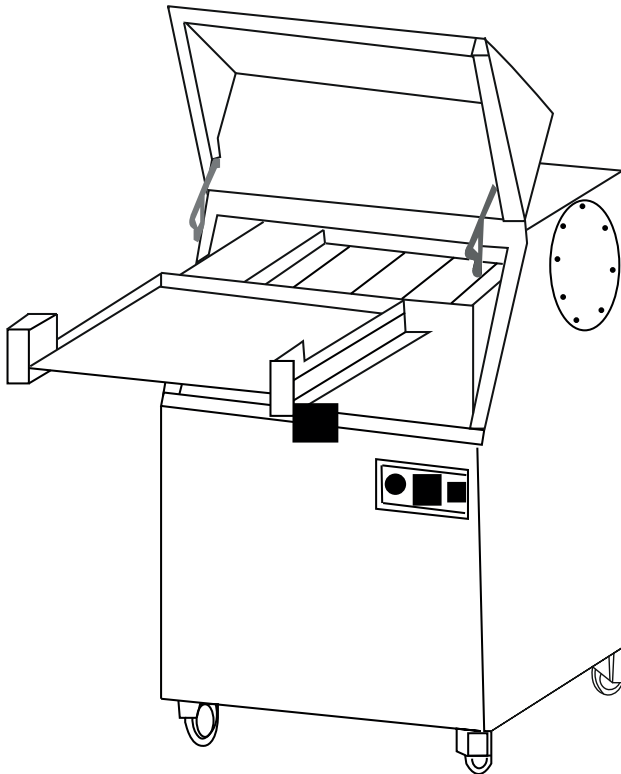


ProtectoSpark

CE
Approved

Operation And Assembly Manual

V1. 2016



EXT978013

Contents

1.	Preface	3
1.1	General	3
1.2	Application	3
1.3	ProtectoSpark Options and Replacement Parts	3
1.4	Product Overview	4
2.	Safety Instructions	5
2.1	General	5
2.2	Instructions	6
3.	Installation	7
3.1	Exchange of the clamping bracket	7
3.2	Use of the plug-on-rubber	8
3.3	Installation of the baffle plate and the dust collecting tray	9
3.4	Resetting of the pressure switch for the filter control	10
4.	Maintenance	11

Original instruction

All rights reserved. The information given in this document has been collected for the general convenience of our clients. It has been based on general data pertaining to construction material properties and working methods known to us at the time of issue of the document and is therefore subject at any time to change or amendment and the right to change or amend is hereby expressly reserved. The instructions in this publication only serve as a guideline for installation, use, maintenance and repair of the product mentioned on the cover page of this document. This publication is to be used for the standard model of the product of the type given on the cover page. Thus the manufacturer cannot be held responsible for any damage resulting from the application of this publication to the version actually delivered to you. This publication has been written with great care. However, the manufacturer cannot be held responsible, either for any errors occurring in this publication or for their consequences.

1. Preface

1.1 General

Please observe this operation and assembly manual before operating the ProtectoSpark attachment, and pay strict attention to any safety warnings which lead to the prevention of injury or damage. Store this manual in a safe place. These instructions are to be regarded as a component of the product.

Contact the manufacturer in case of any uncertainty.

1.2 Application

The spark protection for the unit ProtectoXtract can be retro-fitted optionally and consists of two components, the baffle and the collecting tray.

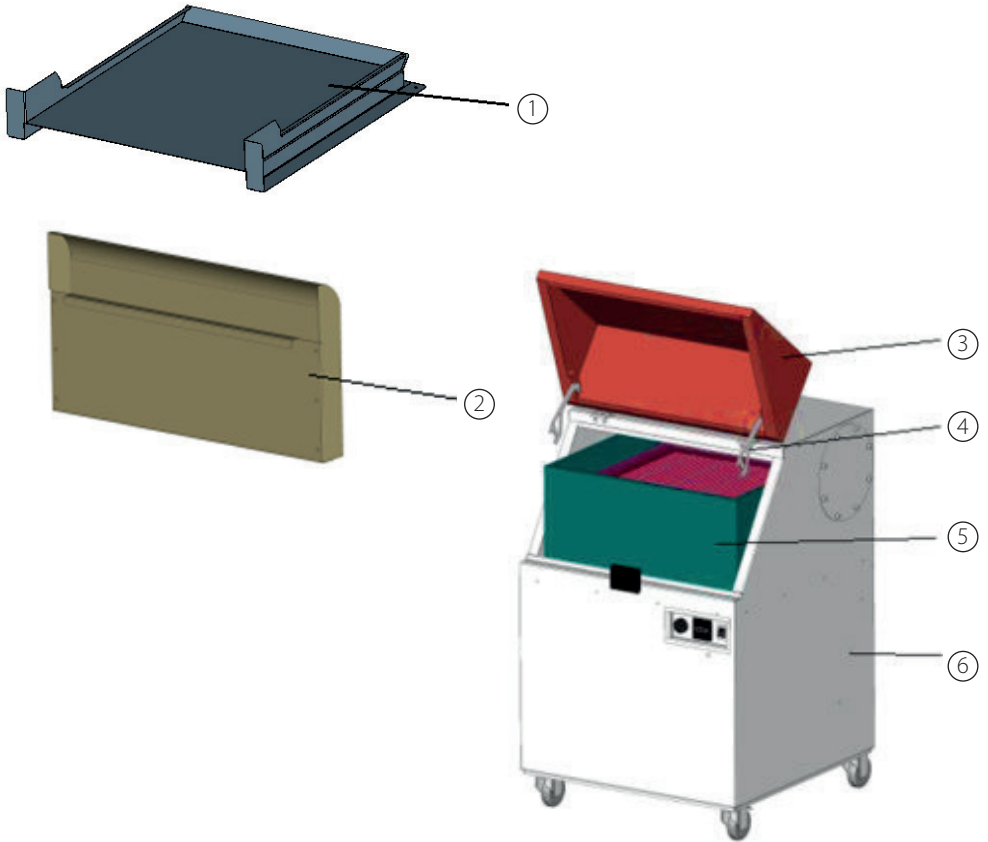
The polluted air is sucked in via extraction elements (e.g. extraction arm) and gets inside the filter unit via the air intake. There the air hits the baffle plate and is led along the baffle plate towards the collecting tray. At the collecting tray the air deflects by 180°. Thus the air gets into the particle filter. Induced by the deflection the bigger particles, as for example extinct spark particles, fall into the collecting tray and stay there.

1.3 ProtectoSpark Accessories

Element	Part Number
Spark Latch 160mm diameter	EXT95014901601
Spark Latch 200mm diameter	EXT9501490200005
Spark Latch 224mm diameter	EXT95149224
Spark Latch 250mm diameter	EXT95014902501
Spark Latch 280mm diameter	EXT9501490280
Spark Latch 315mm diameter	EXT950149031505
Spark Latch 355mm diameter	EXT95014935510
Spark Latch 400mm diameter	EXT95014940010

1.4 Product Overview

The ProtectoSpark consists of the following main components and elements:



- | | |
|----|----------------------------|
| 1. | Baffle plate |
| 2. | Dust collecting tray |
| 3. | Maintenance door (open) |
| 4. | Clamping bracket |
| 5. | Particle filter |
| 6. | Filter unit ProtectoXtract |

2. Safety Instructions

2.1 General

The manufacturer does not accept any liability for damage to the product or personal injury caused by ignoring the safety instructions in this manual, or by negligence during installation, use, maintenance, and repair of the product mentioned on the cover of this document and any corresponding accessories.

Specific working conditions or used accessories may require additional safety instructions. Immediately contact your supplier if you detect a potential danger when using the product.

The ProtectoSpark attachment is designed according to recognised safety regulations. Nevertheless, its use may create health hazards. Therefore, read and follow the safety instructions before using the product.

The user of the product is always fully responsible for observing the local safety instructions and regulations. Observe all applicable safety instructions and regulations.

- Everyone working on or with the product must be familiar with the contents of this manual and must strictly observe the instructions there in.
- The management should instruct the personnel in accordance with the manual and observe all instructions and directions given.
- Never change the order of the steps to perform. Always keep the manual with the product
- The pictograms, warning and instructions attached to the product are part of the safety features. They must not be covered or removed and must be present and legible during the entire life of the product
- Immediately replace or repair damaged or illegible pictograms, warnings and instructions

2.2 Instructions

When handling electrical appliances, the following general safety measures must be taken for the protection against electric shocks, risk of injury and fire:

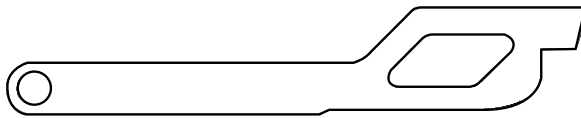
- Read and observe these instructions before using the device
- Keep this operating and maintenance manual in a safe place
- Do not use the device to extract easily inflammable or explosive gases
- Do not use the device in explosive zones
- Do not use the device to extract burning or glowing materials, e.g. cigarettes, matches, metallic dusts, as well as splinters, paper, cleaning cloths etc.
- Do not use the device to extract burning or inflammable materials, e.g. oil or oil mist, greases, release agents (e.g. silicone spray), cleaning agents, etc.
- Do not use the device to extract aggressive media
- Do not use the device to extract liquids of all kinds.
- Do not use the device to extract organic materials without a written authorization of the manufacturer.
- Protect the connecting plug from heat, humidity, oil and sharp edges.
- Observe the approved supply voltage. (Observe the indications on the nameplate)
- Only use Weldability spare parts.
- Do not use the device without filter elements.
- Ensure the appropriate Filters are suitable for the intended application and are installed before use.
- Before opening the device, separate it from the mains supply.
- The outlet holes must not be covered or blocked.
- Always take care that the device is in a safe position and that the brakes at the swivel castors are pulled.
- When cleaning and maintaining the device, replacing parts or when changing to another function. Disconnect the filter unit from the mains supply.
- The filter elements must not be reused.
- Dispose of the filter cartridges according to the legal regulations.
- The device must not be used if the mains cable is not in perfect condition
- Do not use the filter unit if one or more parts of the unit are faulty, missing or damaged. In each of these cases, please contact the Weldability service department on +44 (0) 845 862 2620.
- When extracting carcinogenic fumes, e.g. materials containing nickel or chrome, the ventilation requirements have to be observed
- During transport, the device has to be secured against falling and slipping.
- When lifting and putting down the device, do not remain below or next to the load.

3. Installation

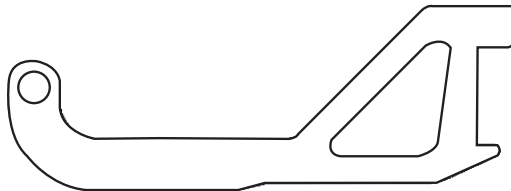
3.1 Exchange of the clamping bracket

The previous clamping bracket is exchanged against two new supplied clamping brackets. The shape of the previously used clamping bracket determines the choice of the type to be installed.

When screwing the clamping bracket, the screw must be tightened; but only to the point where the clamping bracket is still movable. For this purpose it might be necessary to exchange the screws against the ones supplied alternatively.



Shape of the clamping bracket of filter units till June 2012



Shape of the clamping brackets of filter units since July 2012

3.2 Use of the plug on rubber

The supplied plug-on-rubber is only used with ProtectoXtract's which have been manufactured since end of 2013 (see information on the type plate).

The plug-on-rubber supports the airflow along the baffle plate. Mount the plug-on-rubber at the inside of the braces (see arrows). At the position where braces cross the plug-on-rubber has to be gashed.

The plug-on-rubber has no sealing function, but reduces the gap between baffle plate and the braces.

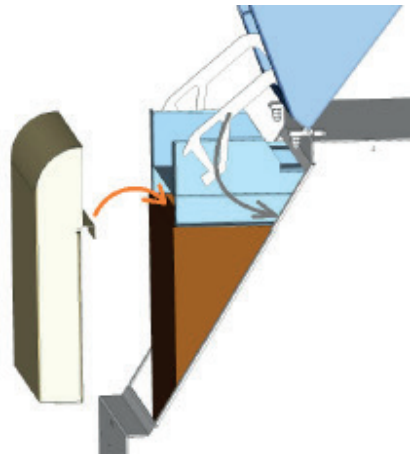


3.3 Installation of baffle plate and dust collecting tray

The baffle plate is inserted into the filter unit in the shown mounting direction (illustration on the left). The baffle plate lies on top of the particle filter and is pushed till it is adjacent to the back of the housing.

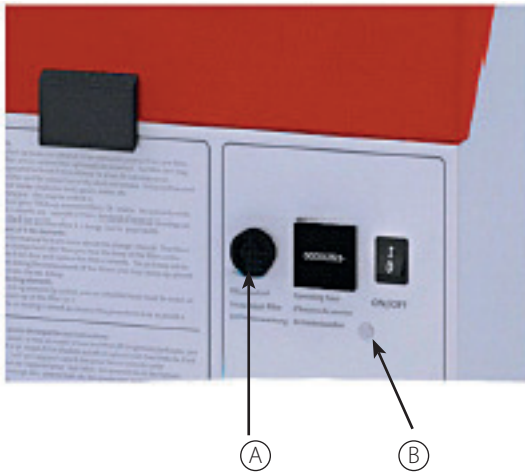
The dust collecting tray is installed in front of the baffle plate (illustration on the right). The bracket of the dust collecting tray must be hung in the front frame of the particle filter.

Finally the maintenance door is to be closed. The clamping brackets on the baffle plate must thereby move inside the housing.



3.4 Resetting the pressure switch for filter control

The ProtectoXtract is equipped with a filter control as a standard feature which monitors the degree of saturation of the filter element. Details on this can be found in the separate operating manual of the ProtectoXtract. The hooter (A) begins to sound when the filter control is triggered.

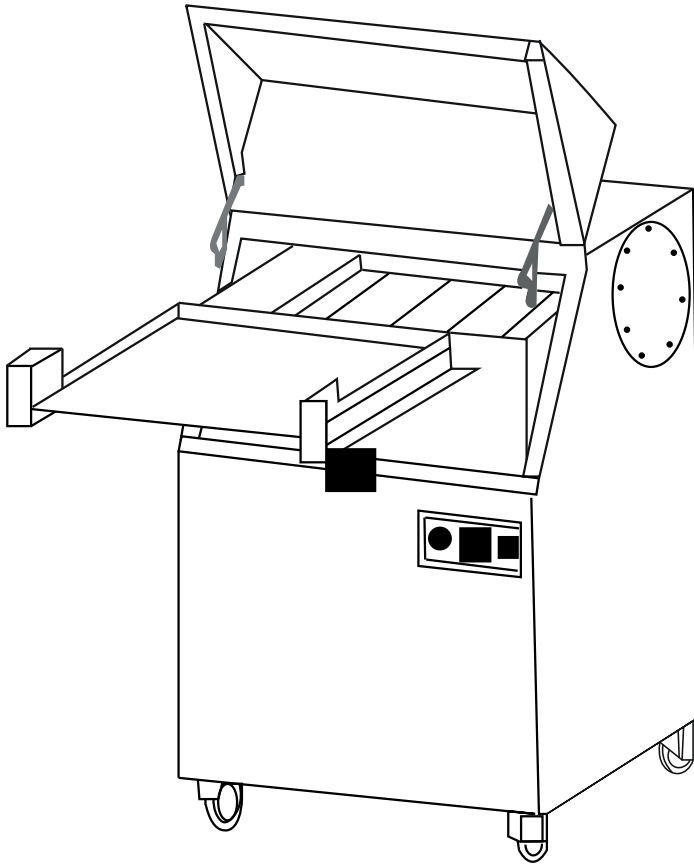


The negative pressure in the device changes when the dust pre-separator is used and the filter control would then indicate a filter alarm at an early stage. Therefore, it is necessary to reset the pressure switch accordingly. Proceed as follows:

- The baffle plate and the collecting tray must be installed and the maintenance door must be closed as specified in chapter 3.3
-
- Close the throttle valve (C) on the suction hood. The suction hood is located at the capturing element of the filter.
(A closed throttle valve in combination with new filter elements generates a negative pressure comparable to saturated filter elements with an opened throttle valve.)
- Remove the masking cap (B). Here the alignment of the pressure switch is located.
- Now turn on the ProtecXtract. Change the alarm value of the pressure switch while the Protec-toXtract is on. Therefore, you turn at the alignment of the pressure switch by inserting a torx screwdriver (T25 – T27) or a flat-bladed screwdriver (size 3 – 3.5) into the alignment aperture. Turn the alignment clockwise till the signal hooter stops. Now turn counter-clockwise till the signal hooter restarts to sound. In this position the pressure switch is optimally set.
- Re-attach the masking cap at the filter.

4. Maintenance

The dust collecting tray must be emptied at regular intervals. The intervals depend on the produced quantity of dust and thus cannot be predetermined



Weldability *sif*

Peters House, The Orbital Centre, Ickniel Way, Letchworth Garden City, Hertfordshire, SG6 1ET
Tel. +44 (0) 845 862 2620 | Fax. +44 (0) 800 970 7757 | Email. sales@weldability-sif.com | www.weldability-sif.com